

VIDEO INTERCOM DOORPHONE

(SINGLE FAMILY MODEL TE-2000)

USERS ' MANUAL

PREFACE

Video intercom systems are the most ideal security protection devices in modern living houses. Besides of the function of the calling and communication between indoor and outdoor for ordinary intercom door bells, their most advantage is: the house keeper can observe situation out of the door through the screens within the house in any time, judge the visitors' identification precisely, to decide whether or not to open the door. This brings the users a great security and convenience doubtlessly.

ABOUT THIS MANUAL

This manual is to help you know the video door phones you are using carefully and fully. This manual includes a directory, four parts of introductions and three parts of sub-dir contents:

1, the brief explanation of system and parts:

It has introduced the main properties and parts constructions of video intercom door phones.

2, installment method and wires connecting diagram:

It has introduced the installments and wires connecting methods with simple, direct diagrams and illuminations.

3, operating method and things should be paid to attention.

It helps you know the things related to how use and maintain video door phones.

4, technological parameters:

It can add your knowledge into the technological properties of video door phones.

SUB-DIR:

The systems are compatible with extra outdoor stations, monitoring cameras and indoor stations in order to satisfy the secure requirements of modern house living. If your systems have the expendable functions,

please refer to the relative contents.

A, for extra 2 outdoor stations

B, for monitoring cameras and interactive alarming functions

C, for more indoor stations

**Please read this manual carefully before
usage of this product, and keep it well in
order to consult**

DIRECTORY

1, BRIEF INTRODUCTION TO SYSTEM AND PARTS

**2, INSTALMENT METHOD AND WIRES CONNECTING
DIAGRAM**

**3, OPERATION METHOD AND THINGS SHOULD BE PAID
ATTENTION TO**

4, TECHNOLOGICAL PARAMETERS

SUB-DIRECTORY

A, FOR EXTRA 1 OUTDOOR STATION

B, FOR MORE INDOOR STATIONS

C, FOR MONITORING CAMERAS AND INTERACTIVE ALARMING
FUNCTIONS

1, BRIEF INTRODUCTION TO SYSTEM AND PARTS

a, the indoor station adopts 4"flat b/w CRT, it has high resolution, high contrast.

b, the outdoor station adopts 1/3 1" camera to gain clear image, it still has night vision function.

c, the user can talk with the visitor.

d, the user can unlock electronics-controlled door lock

e, the user can monitor the situation out of the door.

f, there are defaulted interfaces for double outdoor stations, monitoring camera and the function of mutual calling between multi indoor stations.

1, display screen

2,power supply/function
indicating lights

3, unlocking key

4, calling key

5, monitoring key

6, talking handle

7, speaker

8, chime adjusting button

9,contrast adjusting button

10,brightness adjusting
button

11, impedance switch

12, extendable interface

13, short road device port

14, main interface

15, power supply socket

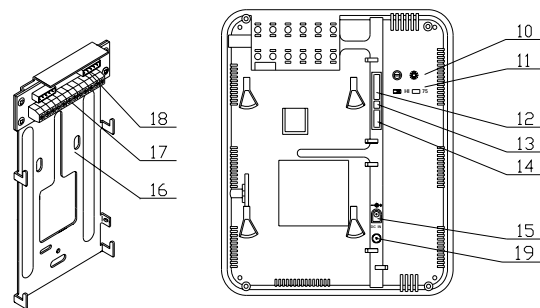
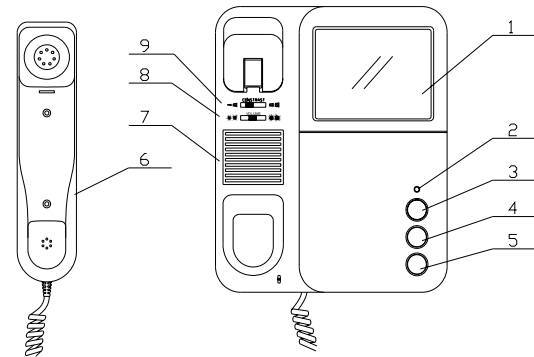
16, hanging frame

17, connecting terminal

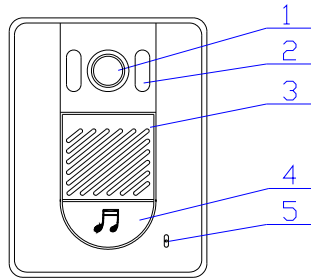
18, connecting port

19,Electronic control lock

INDOOR STATION



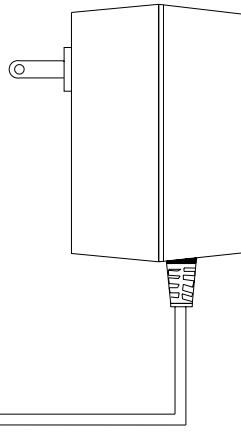
OUTDOOR STATION



- 1, camera
- 2, red infra LED
- 3, speaker
- 4, ringing key
- 5, mike

ACCESSORY PARTS

Power supply adaptor



Unlocking board



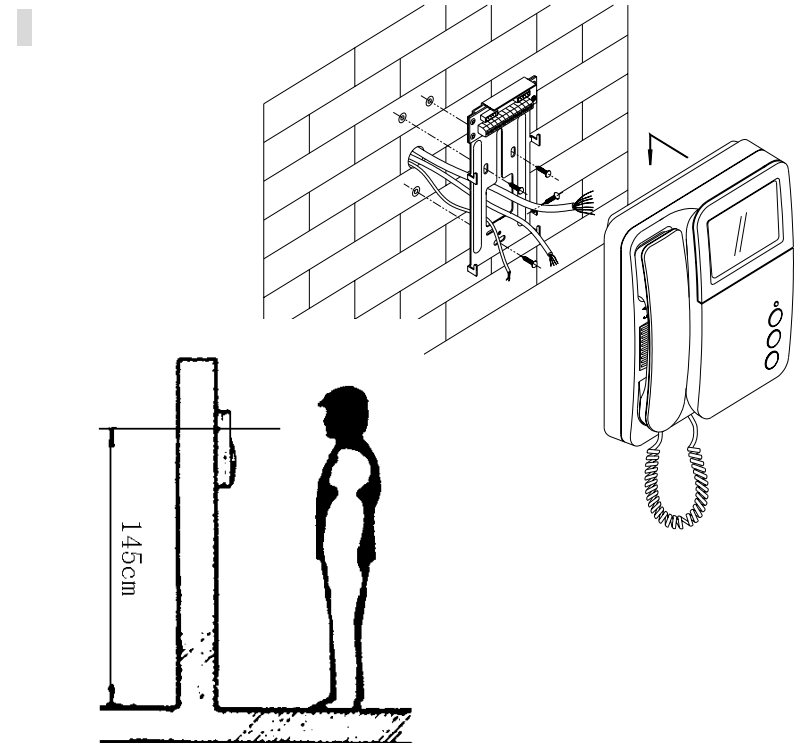
Installment screws	M4x25	5pcs (fastening hanging parts with outdoor station)
	M3x6	1pc (fastening hanging parts with indoor station)

2. INSTALMENT METHOD AND WIRES CONNECTING DIAGRAM

Installmethod

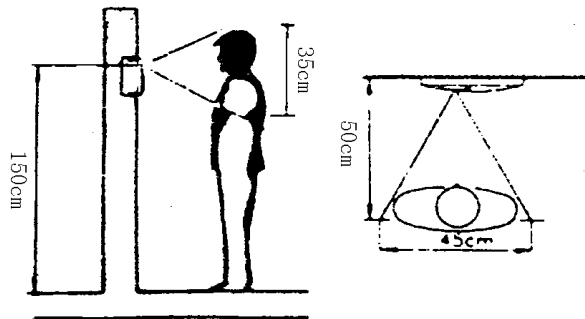
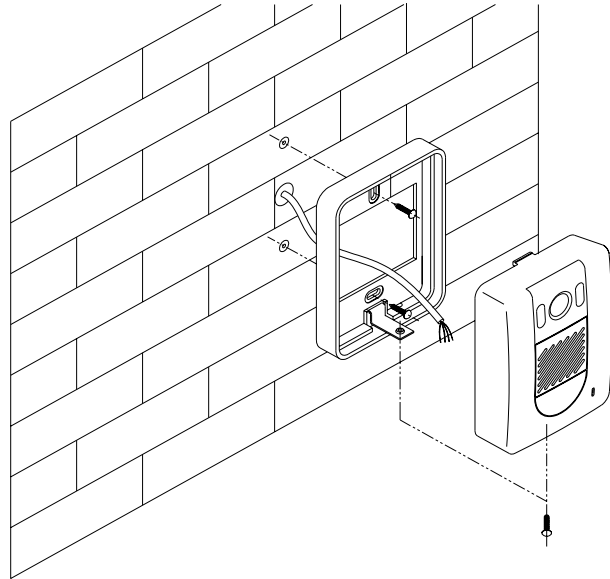
1, indoor station

Fasten the wall hanging frame for the indoor station in the standard height on the wall vertically (hook upward), after connecting and check the line route, insert the line between indoor video door phone and the connecting board into the relative port, then push down the indoor video door phone into the bottom along the hanging hoop, at last fasten it with screws from the right place.



2, outdoor station

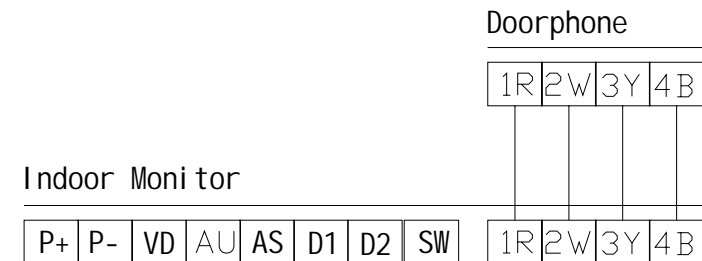
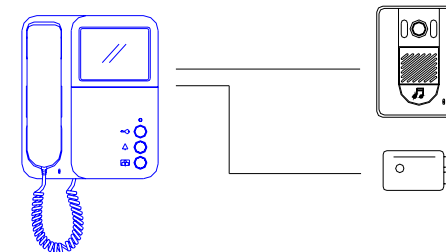
After fastening vertically the mount of outdoor station on the standard height, insert the connected outdoor video door phone set into the mount from the upward end, press tight from the downward end, then lock the hanging hook on the bottom with fastening screws.



Connecting diagram

It is preferred to use RVVP4 X 0.2mm² screened lines to connect indoor station and outdoor station. When the connecting distance is over 50m, we suggest to use RG-59(3C-2V) co-axle cable to connect 3Y, 2W connecting terminals.

- 1R : +12V** power supply positive pole for outdoor station
- 2W: GND** power supply ground for outdoor station
- 3Y: VIDEO** image signal transmitting line
- 4B: AUDIO** talk and control lines
- D1: LOCK** unlocking signal output line



3. OPERATION METHOD AND THINGS SHOULD BE PAID ATTENTION TO

operation method

- 1, when the visitor pushes down the “calling” key on the outdoor station, the electronic bell in the indoor station rings, at the same time, the screen displays the visitor’s image.
- 2, when you pick up the phone handle, you can talk with the visitor for 90 seconds; If you do not pick up the phone handle, the image showed on the screen will disappear in 30 seconds automatically.
- 3, when starting “monitoring” key, the camera begins to work for about 30 seconds, you can monitor the situation out of the door.
- 4, if this system is connected with electronic controlled lock, during monitoring and talking, you can push down “unlocking” key to open the door, mean while the color of power supply/function indicating lights will instruct to the unlocking operation.
- 5, you can adjust CONTRAST button to recover from over bright, over dark or unclear images in order to get better images.
- 6, you can adjust VOLUME button to get better chime electronic bell sound.

Things should be paid attention to:

This system is high grade, delicate product, when you buy it, you should stall it correctly, use it rightly, keep it well, to keep the system properties and it work normally.

- 1, all of the parts should avoid strong shock, collision, strike, bump, to prevent from damage.
- 2, it is forbidden to weep the lens and CRT screen with wet cloth or hand.
- 3, you can use soft cotton textile to weep, it is prohibited to use

organic solution or chemical cleaning agent, when it is necessary, you can dip somewhat water or diluted soap agent to weep.

- 4, the outdoor station should avoid rain, snow, direct sun ray, and other strong light source.
- 5, the system should be kept away of TV sets, PC and other electric appliances with strong electronic magnetic field in order to effect the image quality.
- 6, the system should be kept away of the environment of humidity, high temperature, dust, corrosion and oxide gas to avoid damage.
- 7, there is a high voltage in the system, non-experts can not open them.
- 8, you must use the power supply adaptors provided or approved by the manufacturers.

4., TECHNOLOGICAL PARAMETERS

indoor station

display screen imported 4" flat b/w CRT(SAMSUNG)
resolution 380 TV lines
scan frequency 15,625Hz(H) x 50Hz(V)
power voltage DC18V
video input 75 1 Vp-p(CCIR system)
power consumption standby state 0.5W; working state 16 W
audio power 0.5 W
wiring mode 4 lines, polar
profile dimension 185(W) X 220(H) X 50(D)

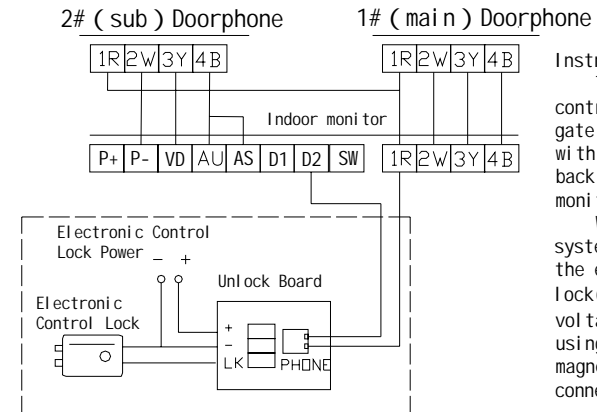
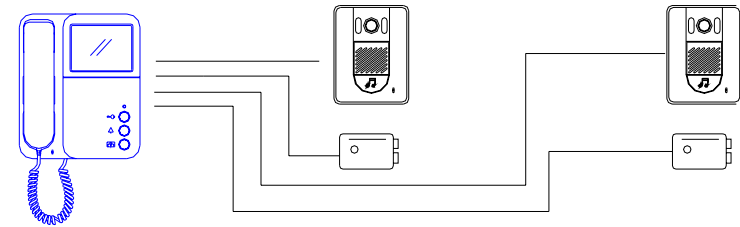
outdoor station

camera 1/3" CCD
resolution 380 TV lines
scan frequency 15,625Hz(H) x 50Hz(V)
video output 75 1 Vp-p(CCIR system)
view angle 78 degree wide angle lens
min illumination 0 Lux
night vision light source 6 infra red LED
power supply voltage DC 12v
power consumption 2W
profile dimension 98(W) X 128(H) X 43(D)

A. FOR EXTRA 1 OUTDOOR STATION

This system can be added a extra outdoor station to meet with the safe requirement of double entrances of house.

1, connecting diagram



Instruction :
 The electronic control lock of the gate directly connects with the port at the back of the indoor monitor.
Warning: This system connects with the electronic control lock(10-15v unlocking voltage), thus when using the electronic magnetism lock, should connect them specially.

Remarks: The "default jumper port" should be short-connected with jumper(shorter) provided.

2, operation of added functions

1), monitoring function: when you firstly push down “monitoring” key, the display screen shows the image from No.1 outdoor station; when you push down “monitoring” key again, the display screen switches to show the image from No.2 outdoor station; when you push down “monitoring” key for the third times, the display screen is shut.

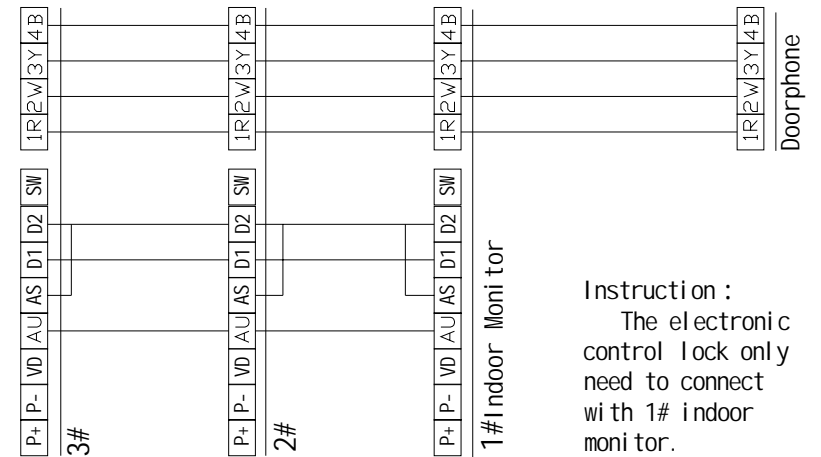
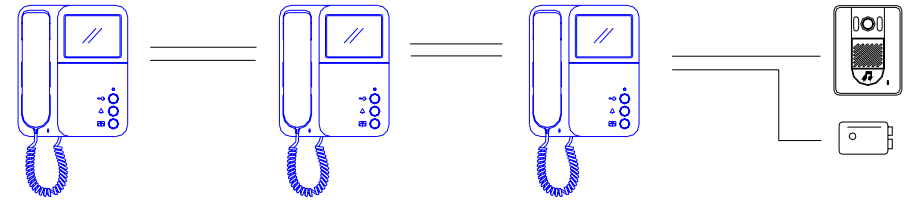
2), calling function: both of two outdoor stations can start the operation of “calling” key, the display screen automatically switches to the relative outdoor station, the indoor station can sounds long and short “ding-dong” prompt music, automatically distinguish where the calling is from;

3), unlocking function: when pushing down “unlocking” key during monitoring and talking, the electronics-controlled lock responding to the relative image shown can be unlocked.

B, FOR MORE INDOOR STATIONS

This system can be connected with many indoor stations to meet with the requirements of multi living rooms.

1, connecting diagram



Instruction :
The electronic control lock only need to connect with 1# indoor monitor.

Remarks:1), the indoor stations between 1#, 2# indoor stations should set up “impedance switch” as “H1”, for the last one, it should be set up to”75”.

2), the system can adopt unified and integrated power supply, the power supply model is NT-PS, you can equip with backup batteries.

2, operation of added function

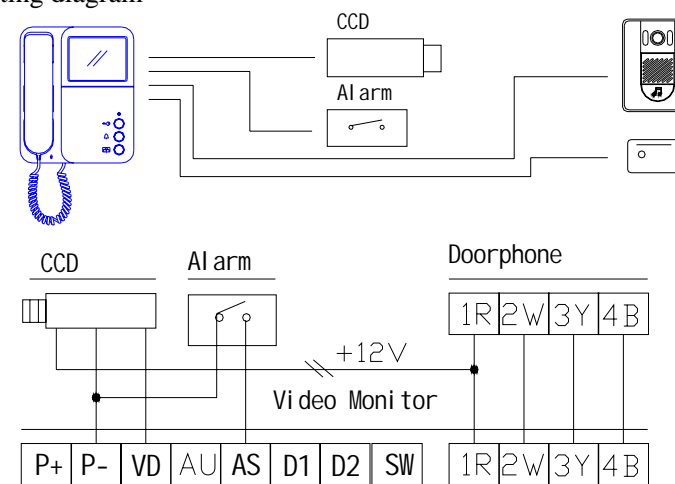
1), calling operation: when the outdoor station enable the operation of “calling” key, all indoor stations start and ring in the same time, the indoor station which is firstly picked up can talk with the outdoor station, the other indoor stations are shut automatically.

2), mutual calling: during the state of being picked up, the key of “calling” of any one of the indoor stations can be pushed down to call other indoor stations, in the mean time, the indicating lights turn into orange colour. The indoor stations received calls prompt with short voice “ding-dong” ringing, the indoor station picked up firstly can talk with the calling indoor station, the others are shut automatically, during the conversation, there is no pictures showed on the screen, and the outdoor station stops working.

C.FOR MONITORING CAMERA AND INTERACTIVE ALARMING FUNCTIONS

This system can be connected with monitoring camera directly, it can be used to monitor yards, balconies, gardens, and other places; This system can be used to match alarms, to realize alarming interactive functions.

1, connecting diagram



Remark: The “default jumper port” should be short-connected with jumper(shorter) provided; you can contact the local agent for the alarming interactive function.

2, operation of added function

1), monitoring function: when you push down key of “calling”, the screen displays the image out of the outdoor station; when you push down key of “calling” again, the screen switches to show the image from monitoring camera; when you push down this key for the third times, the screen is shut.

2), the “calling” key is the key to deploy, to cancel defence. When you deploy defence, if the alarm is enabled, the indoor station will display relative pictures and images, and the alarm starts.